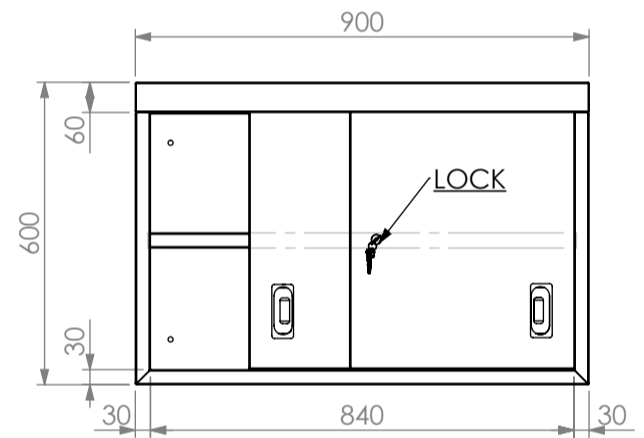
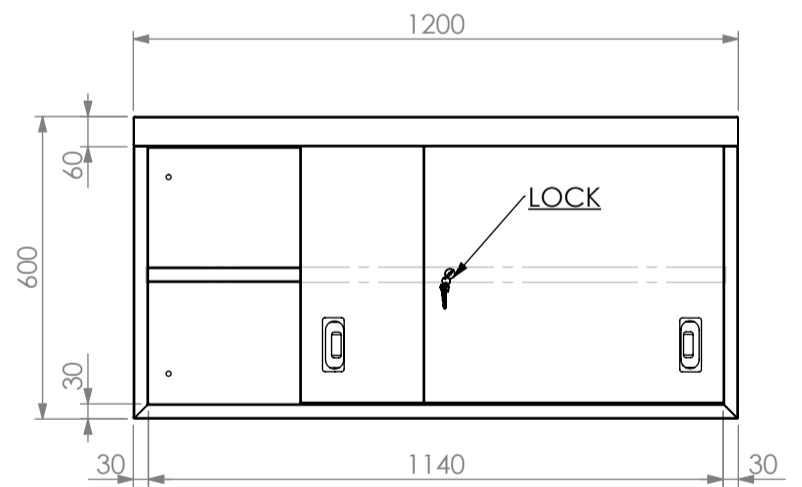



**29-WC-0900**

**29-WC-1200**

SPECIFICATION	
Unit	<ul style="list-style-type: none"> <li>- High quality stainless steel.</li> <li>- 1.2mm gauge, no. 4 Finnish.</li> <li>- Key and Lock supplied (key to like available POA)</li> <li>- Mid shelf standard.</li> </ul>


**29-WC-0900**

**29-WC-1200**

29	Wall Cupboards		
	Product Code	Dimensions (mm)	Unit weight (Kg)
	29-WC-0900	900x380x600	44
	29-WC-1200	1200x380x600	52